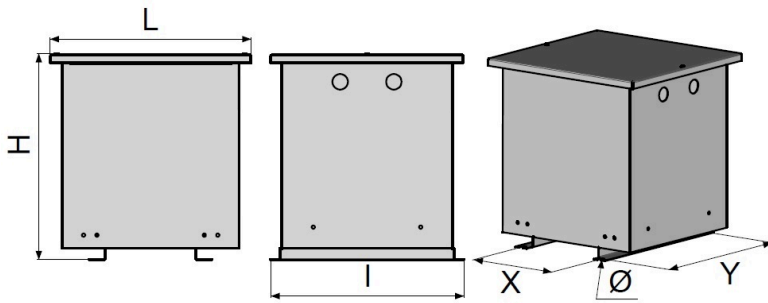


THREE-PHASE TO SINGLE PHASE TRANSFORMERS

Ref : 1B402-AB-R978



*Dimensions are expressed in millimeters, mass in kilograms and reserves represent the ventilation space to be kept around the product for good heat dissipation. The drawing is not contractual.

Notes et options

Options: Adjustment taps, Multi-voltages, Electrostatic screen, Reduced inrush current, Low consumption, Resistance to harmonics, Silent block, caster, Integrated protections, reinforced insulation, Tropicalization, Class II, transformer Factor K5, K7, K9, High frequencies.

Additional options for the covered versions: Specific color paint, IP21 to IP55, Built-in case with integrated protections, custom housing possible,

Product reference	1B402-AB-R978
Power/Value	4 KVA
IP Indice	IP21
Voltage(s)/Current	400V / 230V MONO
Number of Phases	Three-Phase to Single-Phase
Use frequency	50-60 Hz
Coupling	T-M
Dimensions (L x l x H)	375 x 360 x 385
Fixings: X x Y x Ø (mm)	250 x (340 - 132) x 10
Weight	50
Standard	IEC 61558-2-4
Winding material	Copper
RoHS compliant	Yes
Temperature rise class	Classe F
Eyebolts	Yes
Recommended Electrical Protection Input / Output	DJ D - 16A / DJ C - 20A
Dielectric Input/Output and active/ground	2500V / 4000V
Insulation class	I
Cooling	Air Naturel