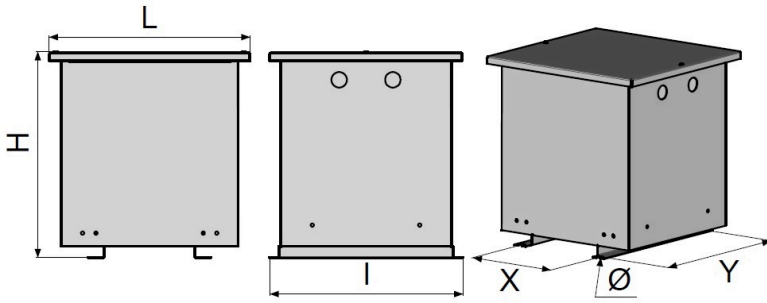


THREE-PHASE AUTOTRANSFORMERS

Ref : 1U312-AB-V913



*Dimensions are expressed in millimeters, mass in kilograms and reserves represent the ventilation space to be kept around the product for good heat dissipation. The drawing is not contractual.

Notes et options

Options: Adjustment taps, Multi-voltages, Electrostatic screen, Reduced inrush current, Low consumption, Resistance to harmonics, Silent block, caster, Integrated protections, reinforced insulation, Tropicalization, Class II, transformer Factor K5, K7, K9, High frequencies.

Additional options for the covered versions: Specific color paint, IP21 to IP55, Built-in case with integrated protections, custom housing possible,

Product reference	1U312-AB-V913
Power/Value	3.15 KVA
IP Indice	IP21
Voltage(s)/Current	400V / 230V
Number of Phases	Three-Phase
Use frequency	50-60 Hz
Dimensions (L x l x H)	375 x 360 x 385
Fixings: X x Y x Ø (mm)	200 x (340 - 94) x 10
Weight	23.92
Standard	IEC 61558-2-13
Winding material	Copper
RoHS compliant	Yes
Temperature rise class	Classe F
Eyebolts	No
Recommended Electrical Protection Input / Output	DJ D - 8A / DJ C - 8A
Dielectric Input/Output and active/ground	/ 3000V
Insulation class	I
Cooling	Air Naturel