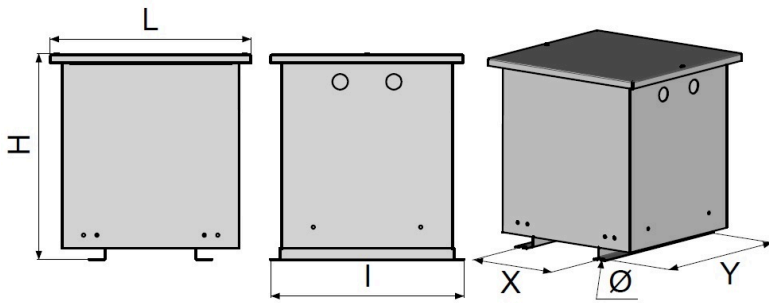


THREE-PHASE AUTOTRANSFORMERS

Ref : 6U632-AB-G699



*Dimensions are expressed in millimeters, mass in kilograms and reserves represent the ventilation space to be kept around the product for good heat dissipation. The drawing is not contractual.

Notes et options

Options: Adjustment taps, Multi-voltages, Electrostatic screen, Reduced inrush current, Low consumption, Resistance to harmonics, Silent block, caster, Integrated protections, reinforced insulation, Tropicalization, Class II, transformer Factor K5, K7, K9, High frequencies.

Additional options for the covered versions: Specific color paint, IP21 to IP55, Built-in case with integrated protections, custom housing possible,

| | |
|--|-------------------------|
| Product reference | 6U632-AB-G699 |
| Power/Value | 6.3 KVA |
| IP Indice | IP21 |
| Voltage(s)/Current | 230V / 400V |
| Number of Phases | Three-Phase |
| Use frequency | 50-60Hz |
| Dimensions (L x l x H) | 375 x 360 x 385 |
| Fixings: X x Y x Ø (mm) | 200 x (340 - 119) x 10 |
| Weight | 32 |
| Standard | IEC 60076-11 |
| Winding material | Copper |
| RoHS compliant | Yes |
| Temperature rise class | Classe H |
| Eyebolts | No |
| Recommended Electrical Protection Input / Output | DJ D - 25A / DJ C - 10A |
| Dielectric Input/Output and active/ground | / 3000V |
| Insulation class | I |
| Cooling | Air Naturel |