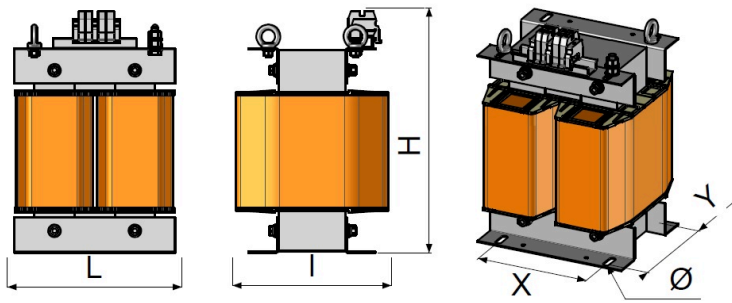


SINGLE PHASE AUTOTRANSFORMERS

Ref : 6A313-TN-V901



*Dimensions are expressed in millimeters, mass in kilograms and reserves represent the ventilation space to be kept around the product for good heat dissipation. The drawing is not contractual.

Product reference	6A313-TN-V901
Power/Value	31.5 KVA
IP Indice	IP00
Voltage(s)/Current	400V / 230V
Number of Phases	Single-Phase
Use frequency	50-60 Hz
Standard	IEC 60076-11
Winding material	Aluminium
RoHS compliant	Yes
Temperature rise class	Classe H
Eyebolts	Yes
Recommended Electrical Protection Input / Output	DJ D - 125A / DJ C - 160A
Dielectric Input/Output and active/ground	/ 3000V
Insulation class	I
Cooling	Air Naturel